

SUPER-VEE

Parts List and Diagrams

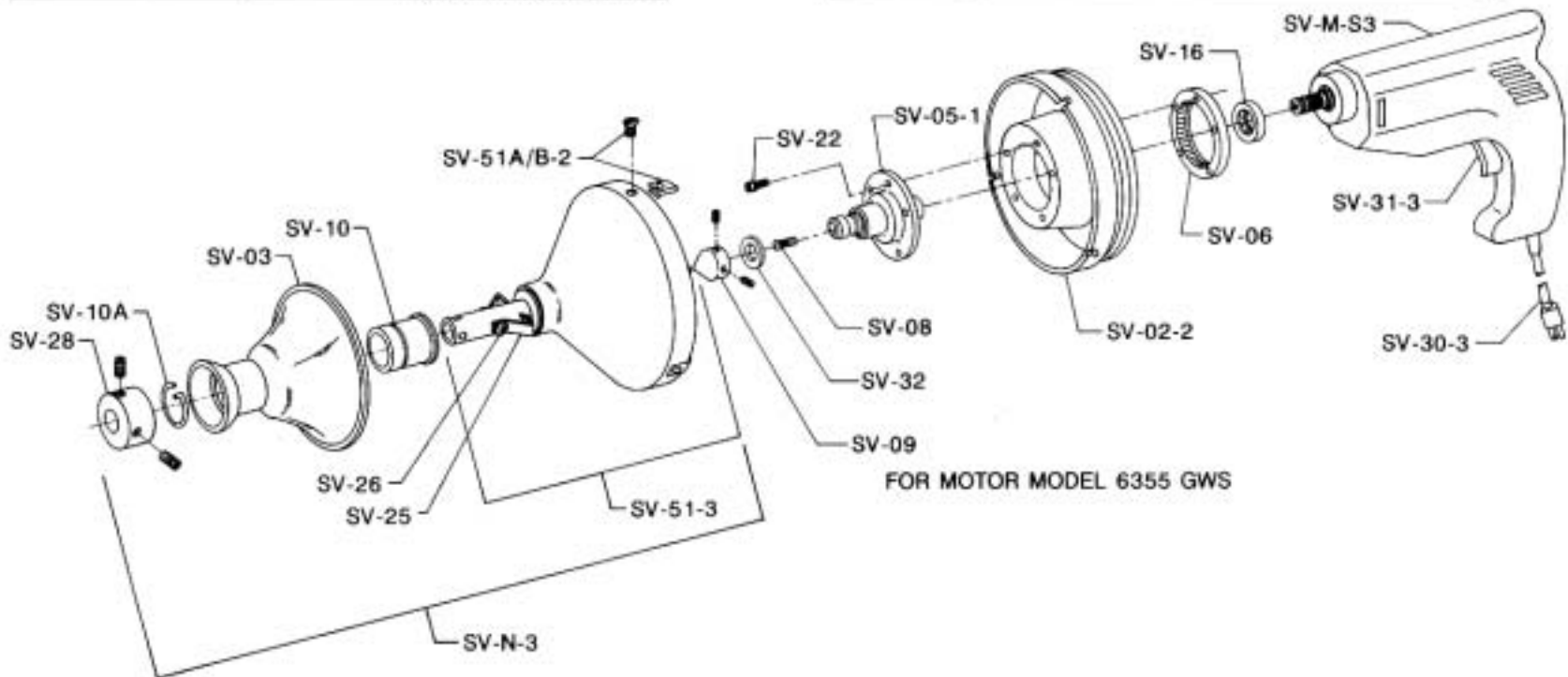
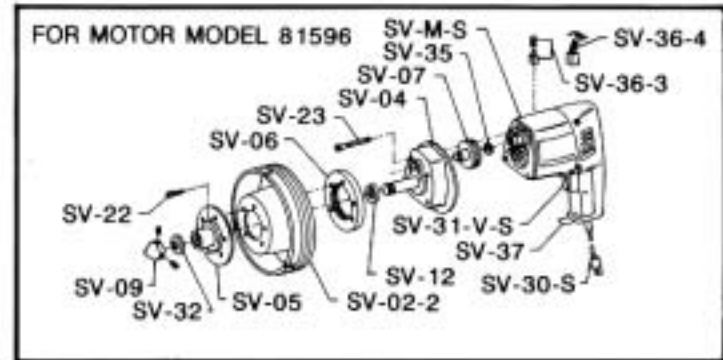
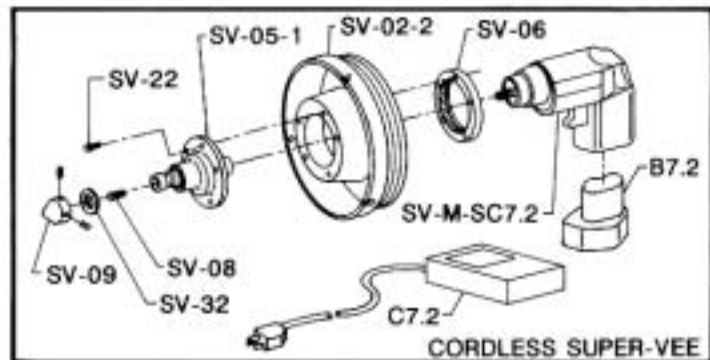
| CAT. NO. | DESCRIPTION | CAT. NO. | DESCRIPTION |
|-------------|---|---------------|---|
| SV-M-S | Skil Variable Speed Motor, Model #81596 | SV-30-S | Cord Set for Motor #81596 |
| SV-M-S3 | Skil Variable Speed Motor, Model #6355-GWS | SV-30-3 | Cord Set for Motor #6355-GWS |
| SV-M-S/220 | Skil Variable Speed Motor (For 220 volts/50 Hz) | SV-30-S/220 | Cord Set (For 220/50 motor) |
| SV-M-SC7.2 | Cordless Variable Speed Motor | SV-31-V-S | Trigger Switch Assembly for Motor #81596 |
| SV-N-3 | Complete Super-Vee Front Assy. | SV-31-3 | Trigger Switch Assembly for Motor #6355-GWS |
| SV-51-1 | Container Front (Serial #AS19205 thru #AS57101) (Inc. SV-51-A & 51-B-1) | SV-31-V-S/220 | Trigger Switch Assembly (For 220/50 motor) |
| * SV-51-3 | Container Front (Serial #AS57102 & Over) (Inc. SV-51-A-2 & 51-B-2) | SV-32 | Felt Washer |
| SV-51-A/B-1 | Set of 3 Thumb Nuts, Bolts & Nuts (Ser. #AS19205 thru AS57101) | SV-33 | Armature for Motor #81596 |
| SV-51-A/B-2 | Set of 3 "U" Nuts and Flat Head Screws (Serial #AS57102 & Up) | SV-33-3 | Armature for Motor #6355-GWS |
| SV-2-1 | Container Back Discontinued (Replace w/ SV-51-3 & SV-02-2) | SV-33/220 | Armature (For 220/50 motor) |
| SV-02-2 | Container Back (Use with SV-51-3 Front Only) | SV-34 | Field for Motor #81596 |
| * SV-03 | Grip Shield | SV-34-3 | Field for Motor #6355-GWS |
| SV-04 | Gear Case Body for Motor #81596 | SV-34/220 | Field (For 220/50 motor) |
| SV-05 | Gear Case Cap for Motor #81596 | SV-35 | Spacer Washer |
| SV-05-1 | Gear Case Cap for Direct Drive Unit (Same as SV-05-D) | SV-36-3 | Brush Spring & Brush (2) for Motor #81596, Type 2 |
| SV-06 | Internal Ring Gear | SV-36-4 | Integral Brush, Spring & Connector (2) for Motor #81596, Type 3 |
| SV-07 | Pinion and Spindle Gear Assembly for Motor #81596 | SV-36-5 | Brush & Holder Set for #6355-GWS Motor |
| SV-08 | Screw for Direct Drive Unit | SV-36/220 | Brush Spring and Brush (For 220/50 motor) |
| SV-09 | Beveled Collar with 2 Set Screws | SV-37 | Left & Right Handle Cover Set for Motor #81596 |
| * SV-10 | Spindle Sleeve (Includes SV-10-A) | SV-37-3 | Left & Right Handle Cover Set for Motor #6355-GWS |
| SV-10-A | Spindle Sleeve Retaining Ring | SV-37-C | Set - Screws & Nuts for Skil Type 2 & 3 Handle Cover |
| SV-12 | Spacer Washer | SV-38 | Motor Housing for Motor #81596 |
| SV-16 | Thrust Bearing for Motor #6355-GWS | SV-39-3 | Holder for Brush & Spring (For Type 3 Motors) (2) |
| SV-22 | Machine Screws with Lock Washers (5) | B 7.2 | Battery Pack |
| SV-23 | Fillister Head Screws (4) | C 7.2 | Battery Charger |
| * SV-25 | Cable Grippers (2) | C 7.2A | Cigarette Lighter Battery Charger |
| * SV-26 | Screws with Loctite (2) | PC | Plastic Cartridge |
| * SV-28 | Front Collar w/Set Screws | SV-DECAL | Set of Safety Decals |
| | | SV-VIDEO | Instructional Video |
| | | MCC | Carrying Case |

* Part Number SV-N-3 includes all * parts.

General Wire Spring Co.

SUPER-VEE SCHEMATIC DIAGRAM

When ordering Skil power unit parts, specify if Type 2 or Type 3. See name plate.



NOTE: Inset drawing shows modified container front and back supplied with Super-Vee's from Serial Number AS 19205 and over. Although the old style container front is still available, the old style back is not. The new style and the old style fronts and backs will not interchange. If you require a new container back, you must also order a new container front. (Part No. SV-51-3 and SV-02-2)